

0 1 2 3 4 5 6 7 8

A

B

C

D

E

F

G

A

B

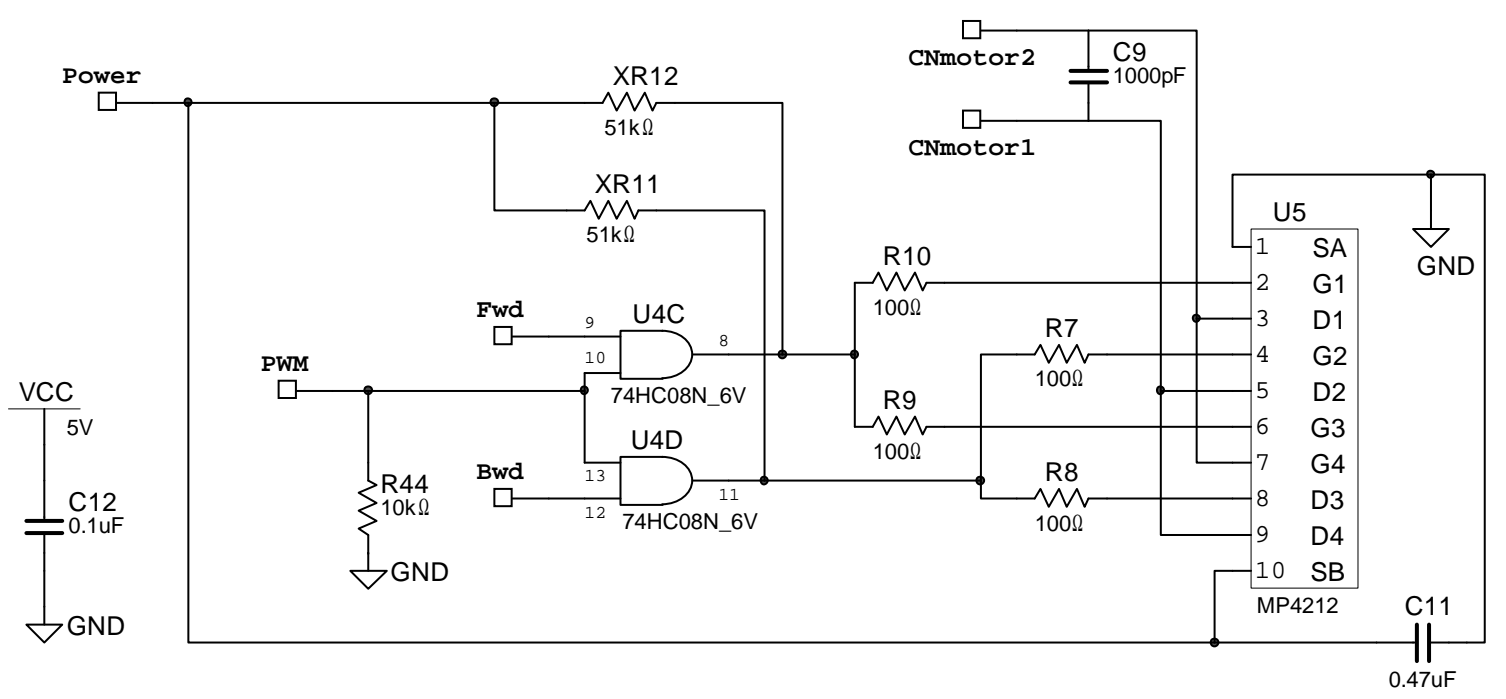
C

D

E

F

G



LeftMotorDriver		
Size:	Document N:	Revision:
A	0001	1.1
Date:	2007-06-21	Sheet 7 of 7

0 1 2 3 4 5 6 7 8